



## Shower Rod Set

### FEATURES:

- Polished Chrome US26 Finish
- 5 Foot (60") Long Rod
- Hollow 304 Stainless Steel Rod
- 1" Outside Diameter Rod
- .025" Thick Rod Wall
- Solid Zinc Brackets, 2 Pieces
- Exposed Screw Mounting
- 1" Inside Diameter Bracket
- Screws Furnished
- Package of 1 Shower Rod Set



### SPECIFIED MODEL:

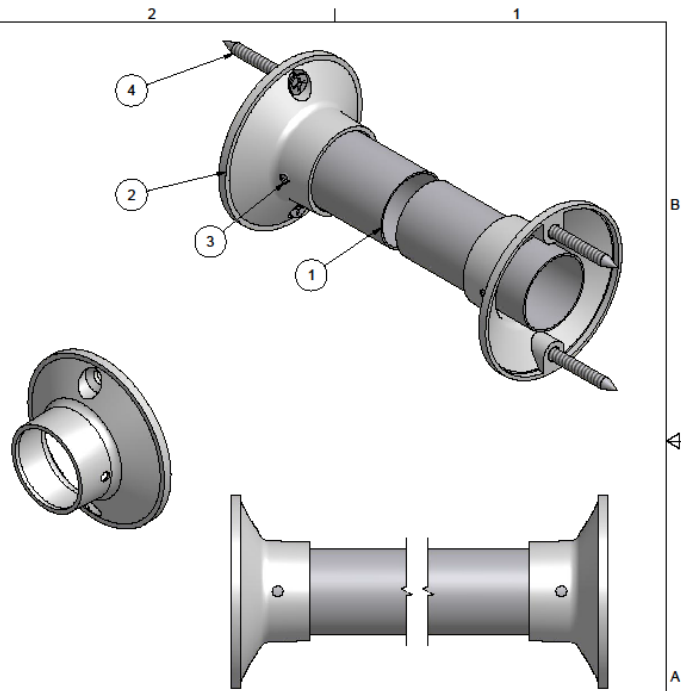
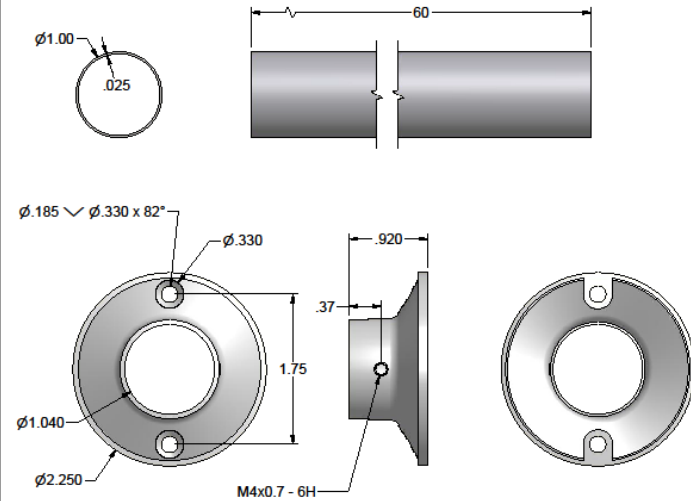
Model	Description	Finish	
822450	Shower Rod Set	US26	



# EXPLODED DRAWING

Parts List				
ITEM	QTY	PART NUMBER	MATERIAL	FINISH
1	1	rod - 1 in x 5 ft sst	Stainless Steel	Chrome Plate
2	2	flange - shower rod exposed screw set screw zinc	Zinc Die Cast	Chrome Plate
3	2	ISO 7434 - M4 x 5	Stainless Steel	Nickel Plate
4	4	ANSI B18.6.4 - No. 7-19 x 1 1/8	Stainless Steel	Nickel Plate

Code	Unit Pack	Unit Qty	Units / Inner	Units / Master
98849	Box	1	1	6



This drawing and all associated component files are the sole property of Ultra Hardware and contains confidential, privileged and patented information. Any reproduction of this drawing is not permitted without written approval from Ultra Hardware management.

Unless otherwise specified:  
 1) All Dimensions given in inches  
 2) Tolerances:  
 Angular:  $\pm 0.5^\circ$   
 Decimal: XX =  $\pm 0.1$   
 XXX =  $\pm 0.015$   
 XXXX =  $\pm 0.005$

DRAWN	KAS	TITLE		Copyright 2008	
CHECKED	1/6/12	Shower Rod Assy		Ultra Hardware Products, LLC	
QA		SIZE	SCALE	DWG NO	SHEET
MFG		B	AS Noted	98849	1 OF 1
REV					
C:\EngVault\Workspace\Design\parts\rod - shower\98849\98849.dwg					